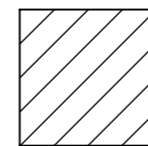


corpus core /top plate in 12 mm birch plywood
all edge banding in solid walnut

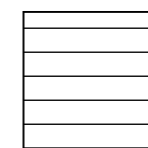
corpus joined with miters / lamello biscuits
pull-out shelf core in 6 mm birch plywood

leg frames in solid walnut

leg frames joined with miters / domino dowels

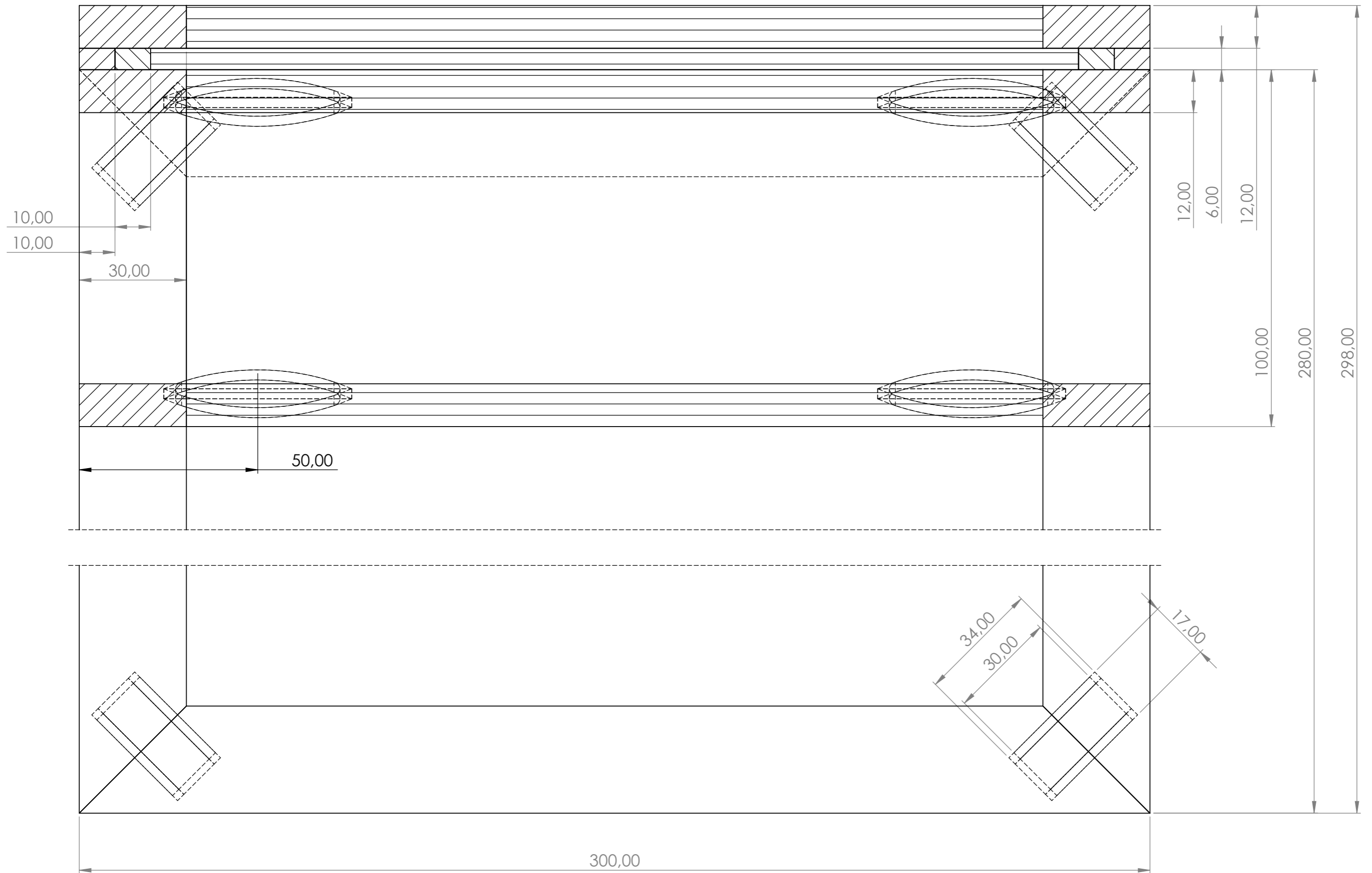


solid wood endgrain



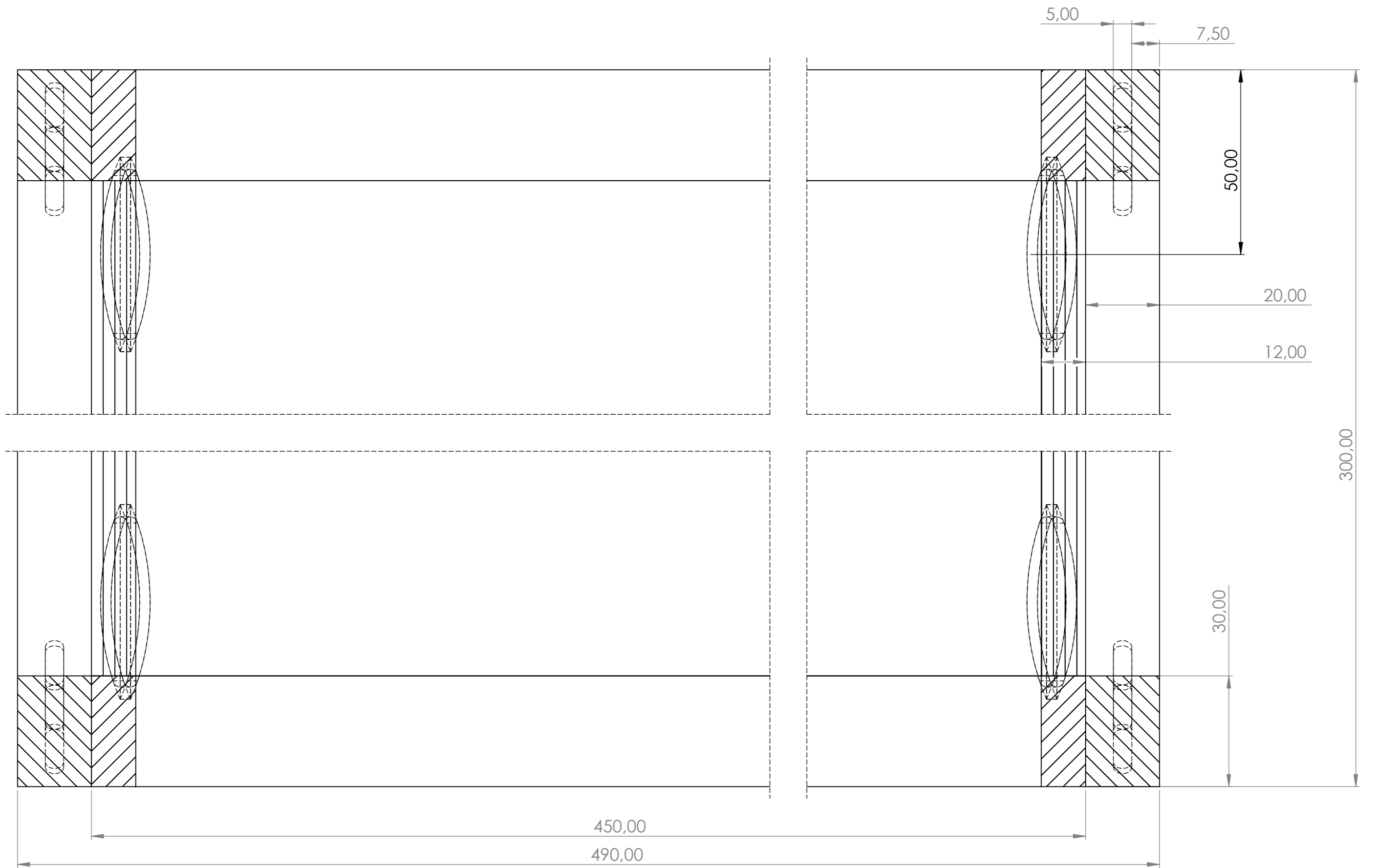
plywood

Erasmus project : Transportable desk front/side/top elevation	1:5/1:10 sheet 1 of 4
Next Uddannelse CPH hold	28-05-2021



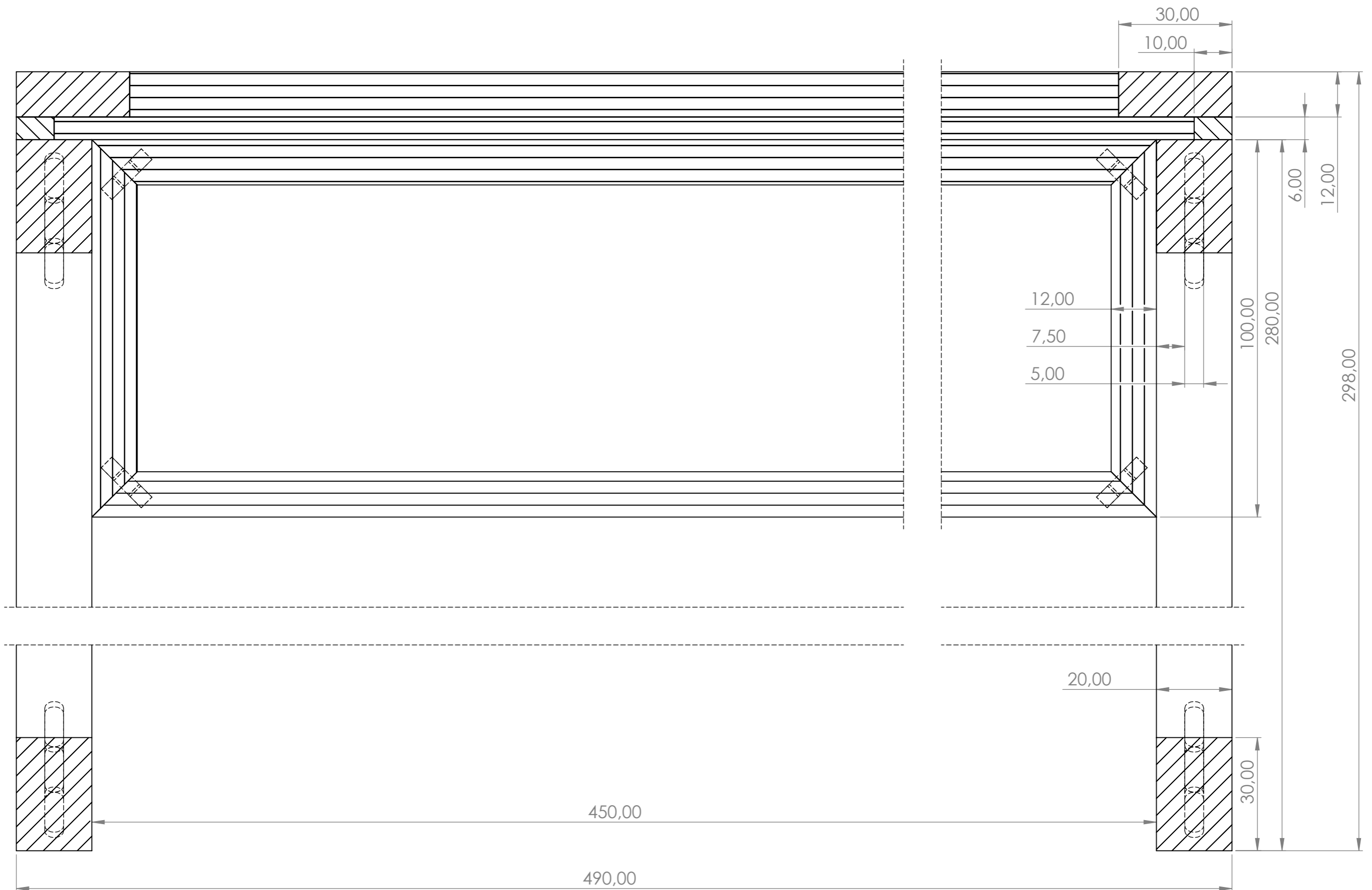
SECTION A-A
SCALE 1 : 1

Erasmus project - vertical section view A-A	scale 1:1
Next Uddannelses CPH hold	sheet 2 of 4
	28-05-2021



SECTION C-C
SCALE 1 : 1

Erasmus project :	scale 1:1
Transportable desk	sheet 3 of 4
Next Uddannelses CPH hold	28-05-2021



SECTION B-B
SCALE 1 : 1

Erasmus project - vertical section view B_B	scale 1:1
Next Uddannelse CPH hold	sheet 4 of 4
	28-05-2021